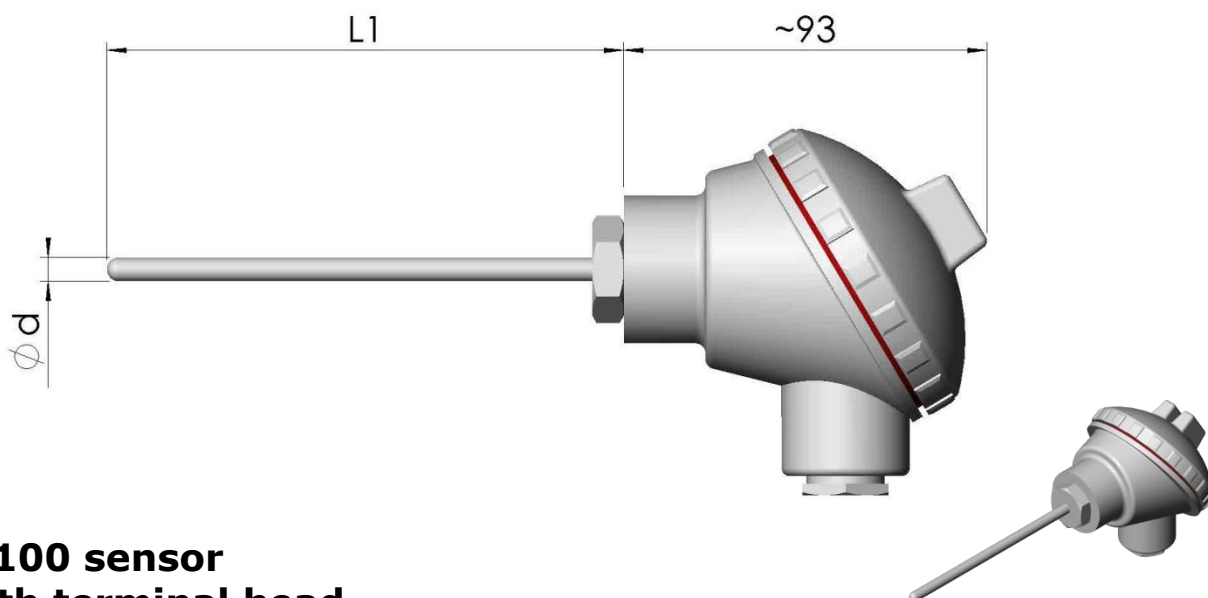


Subject to change without prior notice.



Pt100 sensor with terminal head

Model 7510000, in stock

Construction

Pt100 element mounted in MI-cable

Example of use

Temperature measurements of gases and liquids in processes.

Maximum temperature

Probe: 600°C.

Material

Probe: 1.4436

Resistor

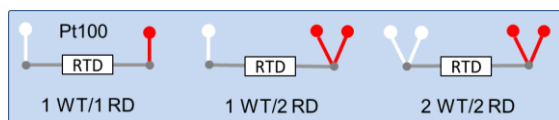
Pt100, IEC 60751, Class A

Terminal head

Fixed mounted head. DNAG as per image above. Cable gland M20x1.5.

Signal connection

2, 3 or 4 wires.



Certificate

Test value: Certificate EN10204 3.1

Accessories

Process connections, search models:

Compression fitting G1/4".

Model 9042000.

Compression fitting G1/2". Model 9043000.

Compression fitting G1/4" NPT. Model 9046000.

Compression fitting G1/4" NPT. Model 9047000.



Parts in stock and dimensions

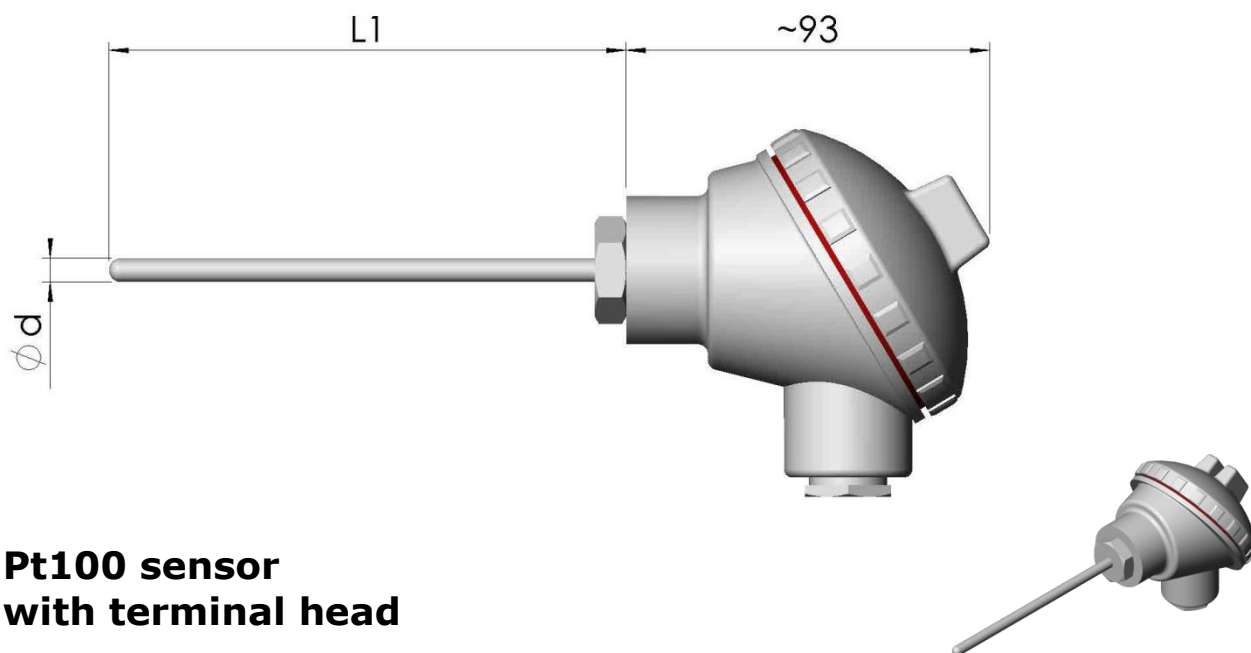
Part No	Probe diam Ød (mm)	Probe length L1 (mm)	Signal** connection
7514001-167	6	148	Flying leads
7514001-140	6	148	Transmitter
7514001-124	6	148	Block
7514001-183	6	208	Flying leads
7514001-184	6	208	Transmitter
7514001-148	6	208	Block
7514001-185	6	228	Flying leads
7514001-186	6	228	Transmitter
7514001-153	6	228	Block
7514001-187	6	288	Flying leads
7514001-166	6	288	Transmitter
7514001-160	6	288	Block
7514001-177	6	348	Flying leads
7514001-192	6	348	Transmitter
7514001-191	6	348	Block
7514001-193	6	378	Flying leads
7514001-171	6	378	Transmitter
7514001-165	6	378	Block
7514001-195	6	408	Flying leads
7514001-196	6	408	Transmitter
7514001-194	6	408	Block
7514001-197	6	448	Flying leads
7514001-198	6	448	Transmitter
7514001-180	6	448	Block
7514001-199	6	528	Flying leads
7514001-200	6	528	Transmitter
7514001-173	6	528	Block

Can't you find a suitable sensor in the table? Ask us!

*) Transmitter to be specified separately.

131126 Pentronic 7510000 En





Pt100 sensor with terminal head

Model 7510000, built on order

Design

Pt100 element mounted in protection tube or MI-cable. Terminal head.

Example of use

Temperature measurements of gases and liquids.

Maximum temperature

Probe: 250°C with protection tube
600°C with MI-cable

Measuring probe

Pt100 resistor (IEC 60751)
Pt100 Class A
Pt100 1/3 DIN
Pt100 1/5 DIN
Pt100 1/10 DIN

Ø d (mm)	Utförande	Material
4.5	MI-cable	EN 1.4436
6	Protection tube	EN 1.4404
6	MI-cable	EN 1.4436
8	Protection tube	EN 1.4435
Other alternatives		Contact Pentronic

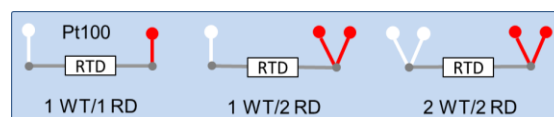
Terminal head

Fixed mounted head. Cable gland M20x1.5.

Type	Lock	Material
DNAG	Skruvlock	Grålackerad aluminium
Form B	Lock med fästskruvar	Grålackerad aluminium
DAN	Klafflock	Grålackerad aluminium
BBK	Skruvlock	Glasfiberförstärkt Polyamid
BEG	Skruvlock	Rostfritt

Signal connection

2, 3 or 4 wires according to image.



Signal connection

Flying leads

Transmitter. (To be specified separately.)

Terminal block

Certificate

Test value: Certificate EN10204 3.1

Längd

L1 as required.

Accessories

Process connections. Search *compression fitting* in our web site.

