

Pt100 sensor For thermowell DIN 43772 form 4

Model 7941000, in stock

Design

To be mounted into thermowell DIN 43772 form 4, former DIN 43763 form D. Replaceable, spring-loaded measurement insert.

Example of use

Industrial temperature measurement of gases or liquids in pipes and tanks.

Maximum temperature

Measuring tip: 600°C

Measurement insert

Pt100 detector IEC 60751 class A.
Replaceable with part no 7264200

Terminal head

Adjustable head with screw-on lid.
Cable gland M20x1.5

Signal termination

4-wires available from sensor. 3- and 2-wire configuration can be established by connecting to the corresponding terminals.

Certificate

Measuring value: Test report according to EN10204 3.1.

Accessories

- Thermowell, see model 9055020.
- Weld-in mounting boss, see model 9055040.
- Slotted bushing to be put over measuring insert to reduce influence of air gaps and vibrations. For insert \varnothing 6.0 mm in thermowell model 9055020.



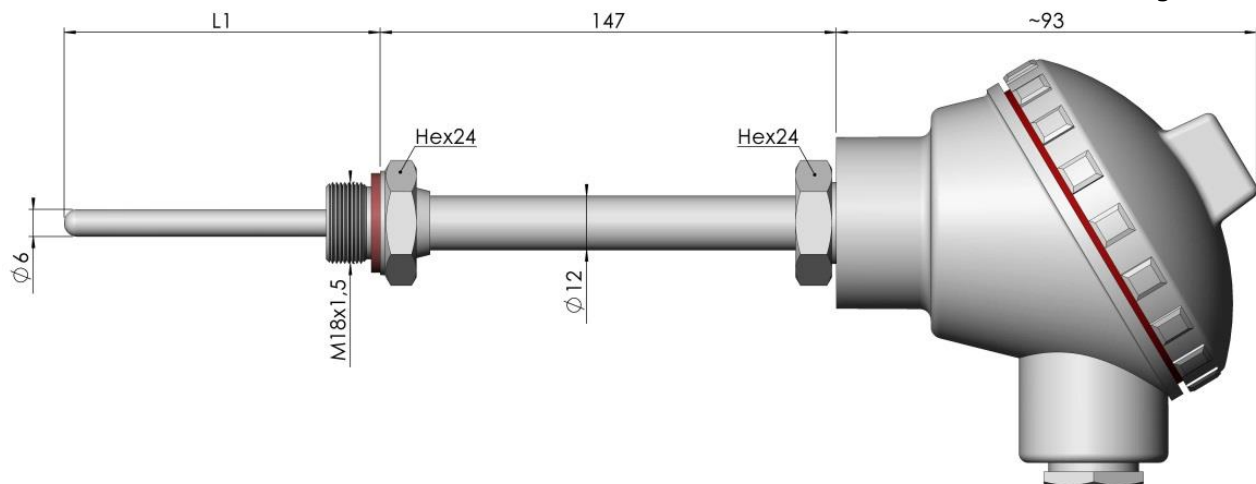
Part No:
9050011-000

Dimensions and part numbers

Part number Complete sensor	Thermo well Form	Insertion probe length L1	Signal termination	Insert probe length	Part number Insertion probe
7941000-146	1	140 mm	Stripped wires	315 mm	7264200-127
7941000-147	1	140 mm	Transmitter*	315 mm	7264200-154
7941000-145	1	140 mm	Terminal block	315 mm	7264200-114
7941000-113	2 & 4	200 mm	Stripped wires	375 mm	7264200-122
7941000-149	2 & 4	200 mm	Transmitter*	375 mm	7264200-175
7941000-148	2 & 4	200 mm	Terminal block	375 mm	7264200-165
7941000-151	5	260 mm	Stripped wires	435 mm	7264200-173
7941000-152	5	260 mm	Transmitter*	435 mm	7264200-176
7941000-150	5	260 mm	Terminal block	435 mm	7264200-169

*) Transmitter to be ordered separately.

Subject to change without prior notice.



Pt100-sensor For thermowell DIN 43772 form 4

Model 7941000, built to order



Design

To be mounted into thermowell DIN 43772 form 4, former DIN 43763 form D. Replaceable, spring-loaded measurement insert.

Application example

Industrial temperature measurement of gases or liquids in pipes and tanks.

Maximum temperature

Measuring probe 250 or 600 °C, depending on insertion probe.

Replaceable insertion probe

Pt100 element (IEC 60751)
Pt100 Class A
Pt100 1/3 DIN
Pt100 1/5 DIN
Pt100 1/10 DIN

Model	Max Temp
7264001	250 °C
7264200	600 °C

Length L1 mm	Length Insert mm	Probe outer diam. mm	Thermo well form
140	315	6.0	1
200	375	6.0	2 & 4
260	435	6.0	5

Please contact Pentronic to be advised in choice of construction. More dimensions available in model 7610000.

Terminal head

Fixed mounted head with screw-on lid, DNAG. Adjustable head with screw-on lid, DNAG. Cable gland M20x1.5.

Type	Lid	Material
DNAG	Screw-on lid	Grey lacquered aluminium
Form B	Lid with fastening screws	Grey lacquered aluminium
DAN	Hinge lid	Grey lacquered aluminium
BBK	Screw-on lid	Glas fiber armoured Polyamid
BEG	Screw-on lid	Stainless steel

Signal termination 4-wire connection
Stripped wires
Transmitter <i>NB! To be ordered separately!</i>
Terminal block

Certificate

Measuring value: Test report according to EN10204 3.1

Accessories

- Thermo well, see model 9055020.
- Weld-in mounting boss, see model 9055040.
- Slotted bushing to be put over measuring insert to reduce influence of air gaps and vibrations. For insert Ø 6.0 mm in thermowell model 9055020.

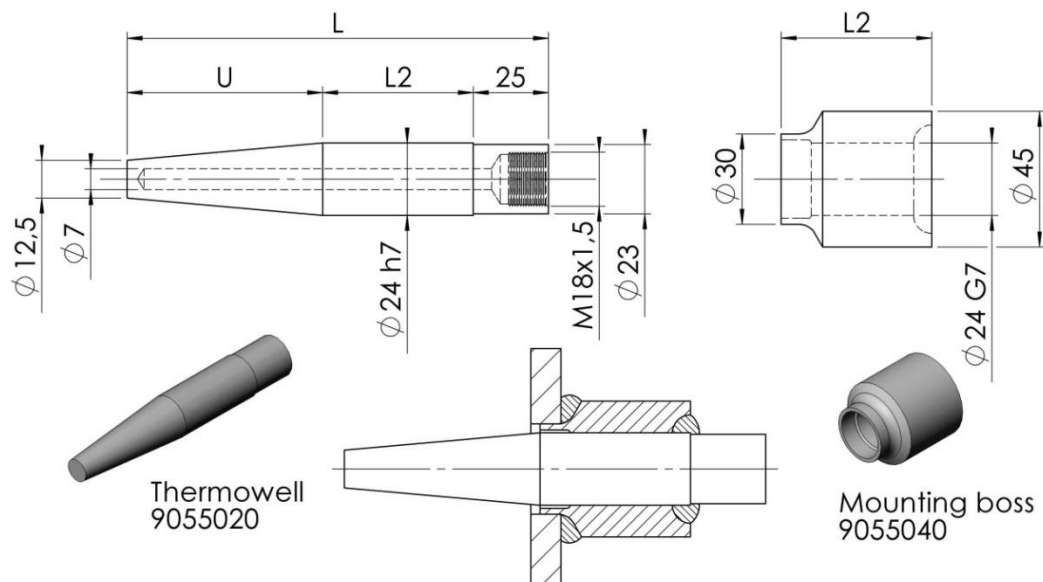


Part No: 9050011-000

161129 Pentronic 7941000 En



Tel +46 490 258500 Fax +46 490 23766
Pentronic AB, Bergsliden 1, SE-593 96 Västervik, Sweden
www.pentronic.se info@pentronic.se



Thermowell and mounting boss, DIN form 4

Models 9055020 and 9055040, in stock

Design

Thermowell and mounting boss as per DIN 43772 form 4, (D)

Example of use

Temperature measurements in critical pressure applications. Insertion probes models 7941000 and 8108300 are dedicated to this thermowell.

Maximum pressure and temperature

According to DIN 43772.

Marking

Thermowell and boss are permanently marked with material grade and charge number.

Certificates

Material: Test certificate EN10204 3.1

Third-party approval

The well is third-party approved by DEKRA, approval number K1500932. Certificate can be ordered.

Pressure and temperature limits

See graphs on the following pages for respective material.

Graph No	Material	Material (EN)	Standard
1	SS-2348-27	1.4404	EN 10272
2	13CrMo44	1.7335	DIN 17243
3	Inconel 600	2.4816	ASTM B166-99
4	Hastelloy C-276	2.4819	ASTM B574-99a
5	C22.8	1.0460	DIN 17243
6	SS-2350-27	1.4571	EN 10272
7	SS-2218-04 (10CrMo9-10)	1.7380	EN 10273

Part numbers and dimensions

Part No Thermowell	Name	Part No Mounting boss	Material	U (mm)	L2 (mm)	L (mm)
9055020-001	D1	9055040-001	1.4432 or equivalent	65	50	140
9055020-031	D1	9055040-031	1.7335 (13CrMo44)	65	50	140
9055020-071	D1	9055040-071	1.0460 (C22.8)	65	50	140
9055020-002	D2	9055040-001	1.4432 or equivalent	125	50	200
9055020-032	D2	9055040-031	1.7335 (13CrMo44)	125	50	200
9055020-072	D2	9055040-071	1.0460 (C22.8)	125	50	200
9055020-004	D4	9055040-004	1.4432 or equivalent	65	110	200
9055020-034	D4	9055040-034	1.7335 (13CrMo44)	65	110	200
9055020-074	D4	9055040-074	1.0460 (C22.8)	65	110	200
9055020-005	D5	9055040-004	1.4432 or equivalent	125	110	260
9055020-035	D5	9055040-034	1.7335 (13CrMo44)	125	110	260
9055020-075	D5	9055040-074	1.0460 (C22.8)	125	110	260