

Pt100 sensor for thermowell DIN 43772 form 4 (DS)

Model 7614001

Construction

To be mounted into thermowell according to DIN 43772 form 4 (DS). Replaceable \varnothing 3.0 mm Pt100 springloaded measurement insert. Thread M14 x 1.5 mm.

Maximum temperature

Probe tip: 250 °C.

Pt100 resistor

Pt100 IEC 60751 class A

Dimensions

Probe diameter: 3.0 mm.
Thread M14 x 1.5 mm.

Inspection certificate

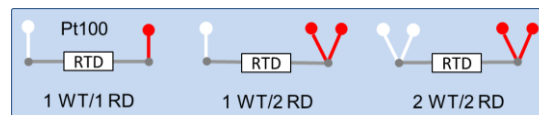
Sensor output signal: Certificate as per EN10204 3.1.

Accessories

Thermowell model 9055025 and weld-in boss model 9055045.

Signal connection

4-wire configuration

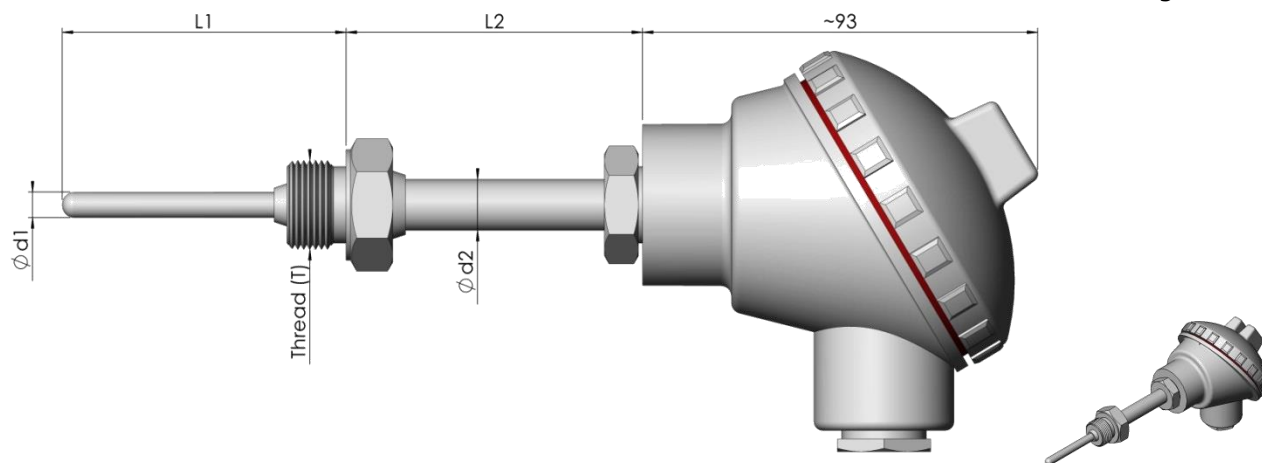


Normally the following parts will be delivered within two weeks:

Part number Housing and insert	Thermowell	L1, mm	Signal connection
7614001-159	D1S	140	Flying leads
7614001-160	D1S	140	Transmitter*
7614001-158	D1S	140	Terminal block
7614001-161	D2S & D4S	200	Flying leads
7614001-162	D2S & D4S	200	Transmitter*
7614001-151	D2S & D4S	200	Terminal block
7614001-164	D5S	260	Flying leads
7614001-165	D5S	260	Transmitter*
7614001-163	D5S	260	Terminal block

*) See table Part Numbers and dimensions, columns Name and Materials on page 3.

***) Transmitter has to be specified separately. See *Instrumentation* and *Transmitters* on separate data sheets.



Pt100 sensor for different types of thermowells

Model 7610000, built to order

Construction

To be mounted into thermowell. Replaceable, spring loaded insertion probe. For other alternatives please contact Pentronic.

Example of use

Industrial temperature measurements of gases and liquids in pipes and tanks.

Maximum temperature

Measuring tip: 250 or 600°C depending on design of insertion probe.

Replaceable insertion probe

Pt100 resistor (IEC 60751)
Pt100 Class A
Pt100 1/3 DIN
Pt100 1/5 DIN
Pt100 1/10 DIN

Length = $L1 + L2 + 27$ mm

Neck

$\phi d2$	Material
10 mm	EN 1.4435
12 mm	EN 1.4435
15 mm	EN 1.4435

Process connection

Thread, G	HEX (mm)
G 1/2"	27
G 3/4"	32
G 1"	41
M14 x 1.5	22
M18 x 1.5	24
1/2" NPT	22

Terminal head

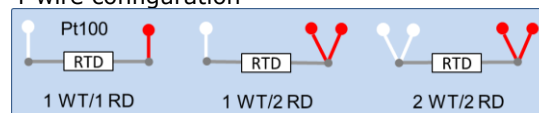
Adjustable terminal head.

Cable gland M20x1,5. Al. = aluminium

Type	Lid	Material
DNAG	Screw-on lid	Grey lacquered al.
Form B	Lid with fixing screws	Grey lacquered al.
DAN	Hinged lid	Grey lacquered al.
BBK	Screw-on lid	Glass fibre armoured Polyamid
SEG	Screw-on lid	Stainless steel

Signal connection

4-wire configuration



Signal connection

Flying leads
Transmitter, <i>to be specified separately</i>
Terminal block

Inspection certificate

Sensor output signal: Certificate as per EN10204 3.1

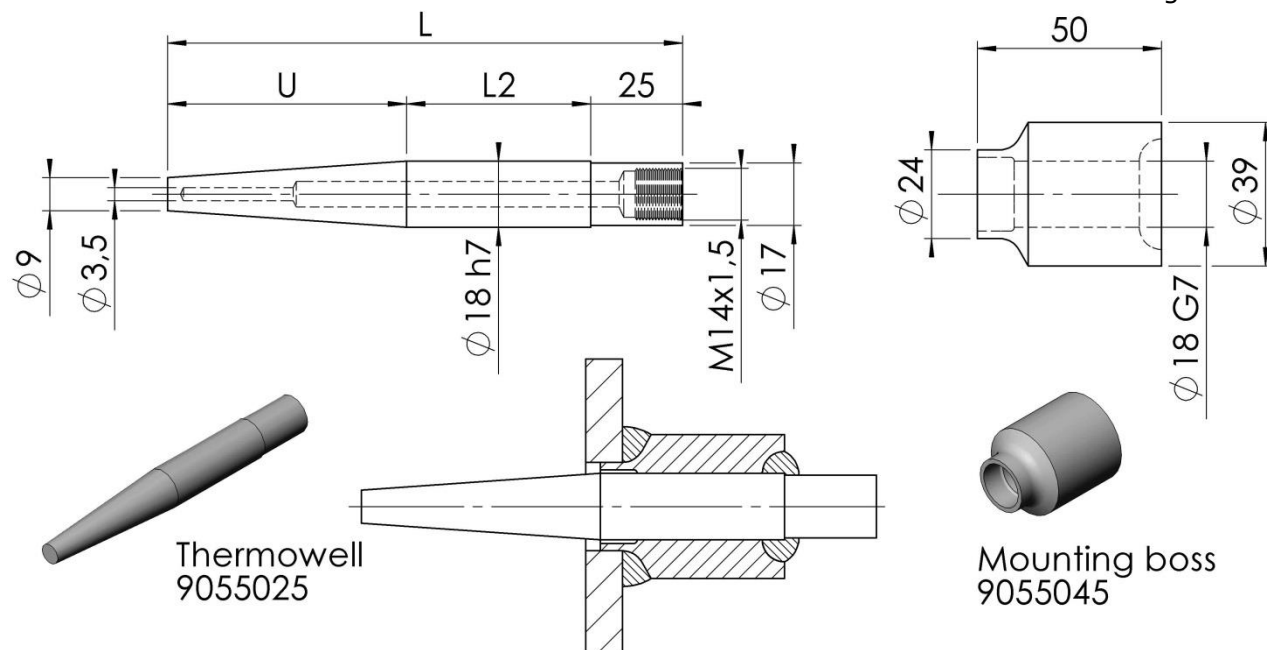
Accessories

Thermowell, see models 9055020 and 9055025.
Weld-in boss for thermowell, see models 9055040 and 9055045.

Dimensions

L1 and L2 to be specified.

Subject to change without prior notice.



Thermowell and mounting boss for weld-in, according to form 4 "DIN DS"

Models 9055025 and 9055045, built to order

Design

Solid thermowell and weld-in mounting boss according to DIN 43772 form 4 (DS).

Example of use

Temperature measurements in pressure applications. The thermowell suits temperature sensor models 7614000 (Pt100) and 8108300 (thermocouple).

Maximum pressure and temperature for the thermowell

According to DIN 43772.

Marking

Thermowell and boss are permanently marked with material grade, type and charge number.

Certificates

Material: Test certificate EN 10204, 3.1

Please contact Pentronic to be advised suitable design. Other dimensions on request.

Dimensions and part numbers

Select *Name* and *Material* from the table.

Part No <i>Thermowell</i>	<i>Name</i>	Part No <i>Mounting boss</i>	<i>Material</i>	U (mm)	L2 (mm)	L (mm)
9055025-001	D1	9055045-001	1.4432 or equivalent	65	50	140
9055025-031	D1	9055045-031	1.7335 (13CrMo44)	65	50	140
9055025-071	D1	9055045-071	1.0460 (C22.8)	65	50	140
9055025-002	D2	9055045-001	1.4432 or equivalent	125	50	200
9055025-032	D2	9055045-031	1.7335 (13CrMo44)	125	50	200
9055025-072	D2	9055045-071	1.0460 (C22.8)	125	50	200
9055025-004	D4	9055045-004	1.4432 or equivalent	65	110	200
9055025-034	D4	9055045-034	1.7335 (13CrMo44)	65	110	200
9055025-074	D4	9055045-074	1.0460 (C22.8)	65	110	200
9055025-005	D5	9055045-004	1.4432 or equivalent	125	110	260
9055025-035	D5	9055045-034	1.7335 (13CrMo44)	125	110	260
9055025-075	D5	9055045-074	1.0460 (C22.8)	125	110	260

161129 Pentronic 7614001 En



Tel +46 490 258500 Fax +46 490 23766
 Pentronic AB, Bergsliden 1, SE-593 96 Västervik, Sweden
 www.pentronic.se info@pentronic.se