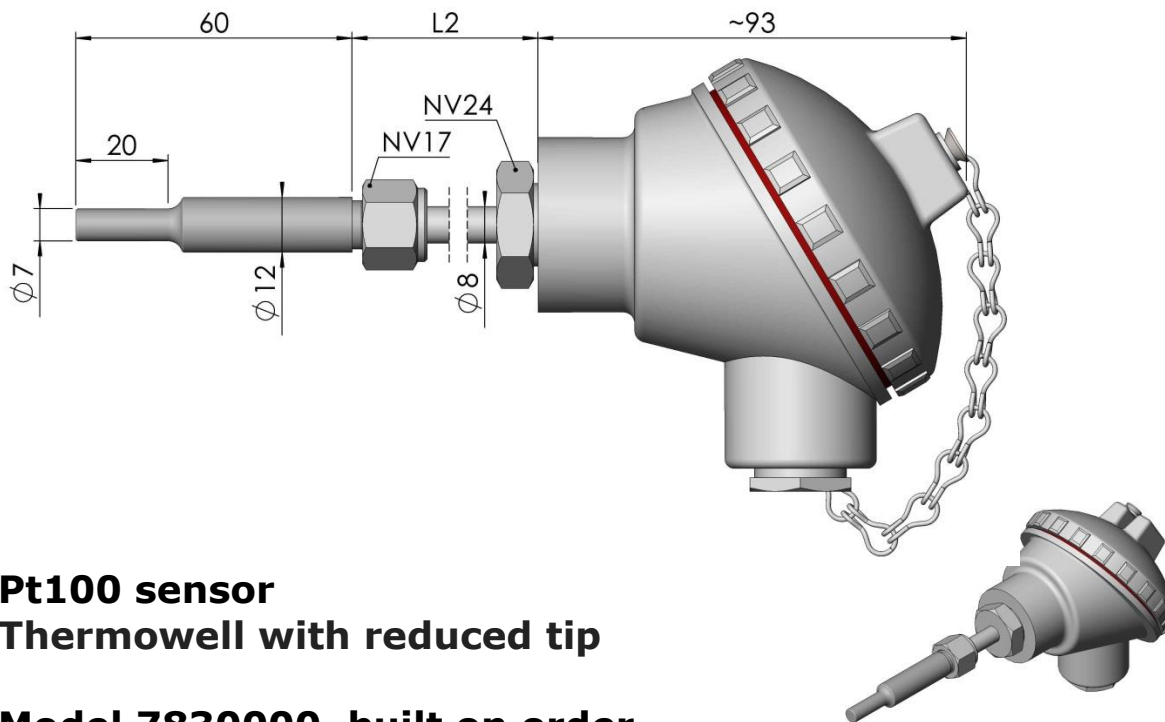


Subject to change without prior notice.



## Pt100 sensor Thermowell with reduced tip Model 7830000, built on order

### Construction

Thermowell with reduced tip for faster and safer measurement. Interchangeable measurement input. The length of L2 as desired, standard 48 and 110mm.

### Example of use

Temperature measurement of gas and liquid in the process industry. The thermowell is adapted for small-pipe welding, suitable for dimension up to DN 100.

### Maximum temperature

Insert probe: 250 °C or 600 °C depending on probe construction.

### Measuring probe, replaceable

Probe diameter:  $\phi 3.0$  mm.

Probe length: L2 + 87 mm.

#### Measuring element (IEC 60751)

Pt100 klass A
Pt100 1/3 DIN
Pt100 1/5 DIN
Pt100 1/10 DIN

#### Material thermowell

1.4432 or equivalent
1.4301
1.0460 (C22.8)

### Terminal head

Adjustable head.

Cable gland M20x1.5.

Type	Lid	Material
DNAG	Screw-on lid	Grey lacquered aluminium
Form B	Lid fixed with two screws	Grey lacquered aluminium
DAN	Hinge lid	Grey lacquered aluminium
BBK	Screw-on lid	Glass fiber armoured Polyamid
SEG	Screw-on lid	Stainless steel

For other alternatives please contact Pentronic.

#### Signal connection

Stripped wires
Transmitter. To be specified separately!
Terminal block

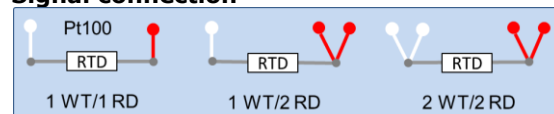
#### Connection of wires

4 wire
3 wire
2 wire

### Certificate

Test value: Certificate EN10204 3.1  
Material: EN10204 3.1 (Thermowell)

#### Signal connection



Please contact Pentronic for advice.

170908 Pentronic 7830000 En



Tel +46 490 258500 Fax +46 490 23766  
Pentronic AB, Bergsliden 1, SE-593 96 Västervik, Sweden  
www.pentronic.se info@pentronic.se