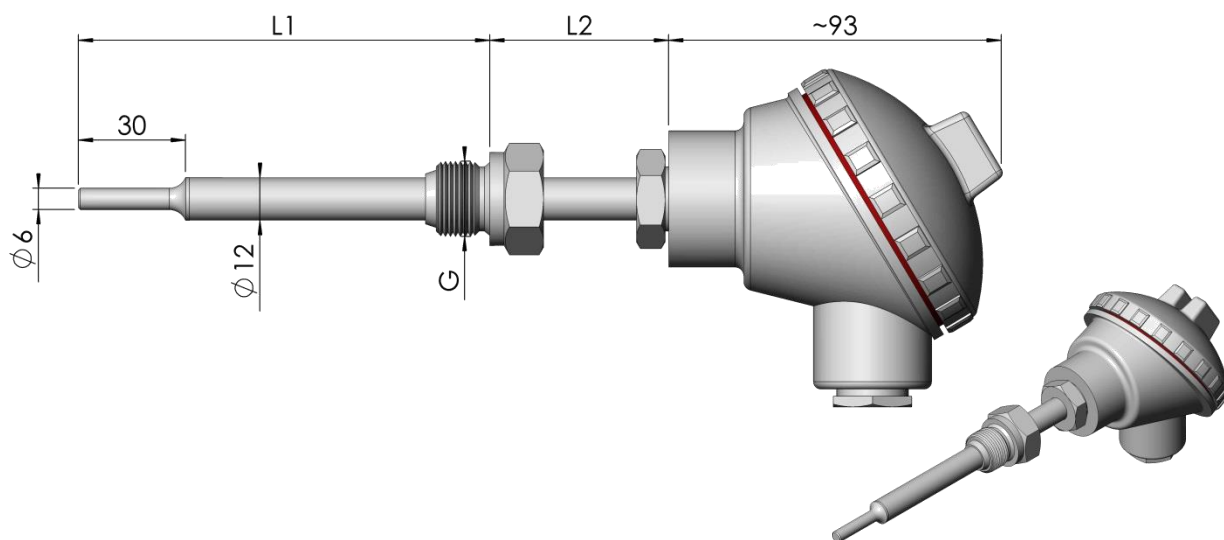


Subject to change without prior notice.



Pt100 sensor Outer protection tube with reduced tip diameter

Model 7820000, built on order

Construction

Outer protection tube provided with neck and threads. Reduced tip diameter for shorter response time than model 7810000. Replaceable measuring insert probe. L1 and L2 as required.

Example of use

Temperature measurements in process industry of gas or liquid.

Maximum temperature

Insert probe: 250 °C or 600 °C depending on probe construction.

Measuring probe, replaceable

Probe diameter: \varnothing 3.0 mm.
Probe length: L1 + L2 + 27 mm.

Pt100 resistor (IEC 60751)

Pt100 class A

Housing

Protection tube, \varnothing d1	Material
12 mm	EN 1.4435
Other alternatives	Please contact Pentronic

Process connection

Threads, G	HEX, mm
G 1/2"	27
G 3/4"	32
G 1"	41
M18 x 1.5	24
1/2" NPT	22

Terminal head

Adjustable head.
Cable gland M20x1.5.

Type	Lid	Material
DNAG	Screw-on lid	Grey lacquered aluminium
Form B	Lid fixed with two screws	Grey lacquered aluminium
DAN	Hinge lid	Grey lacquered aluminium
BBK	Screw-on lid	Glass fiber armoured Polyamid
SEG	Screw-on lid	Stainless steel

For other alternatives please contact Pentronic.

Signal connection

Stripped wires
Transmitter. To be specified separately!
Terminal block

Connection of wires

4 wire
3 wire
2 wire

Certificate

Test value: Certificate EN10204 3.1

Please contact Pentronic for advice.

150205 Pentronic 7820000 En



Tel +46 490 258500 Fax +46 490 23766
Pentronic AB, Bergsliden 1, SE-593 96 Västervik, Sweden
www.pentronic.se info@pentronic.se