

## Pt100-sensor Diam. 2.5 mm, with process thread and terminal head

### Model 7911000, in stock

#### Construction

Pt100-detector mounted in protection tube.

#### Example of use

Temperature measurement of gases and liquids in process industry. To be used when short response time is needed and/or at small tube dimensions.

#### Maximum temperature

Probe: 250 °C

#### Probe

Pt100 detector, Class A (IEC 60751)  
Protection tube: SS 1.4404

#### Part numbers

Part No	Signal termination <sup>1</sup>
7911001-002	Stripped wires
7911001-003	Transmitter
7911001-001	Terminal block

**Not 1.** Built-in transmitter to be specified separately.



#### Terminal head

Adjustable head Form B.  
Cable gland M20x1.5.

#### Signal connection

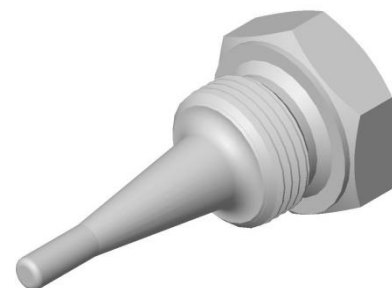
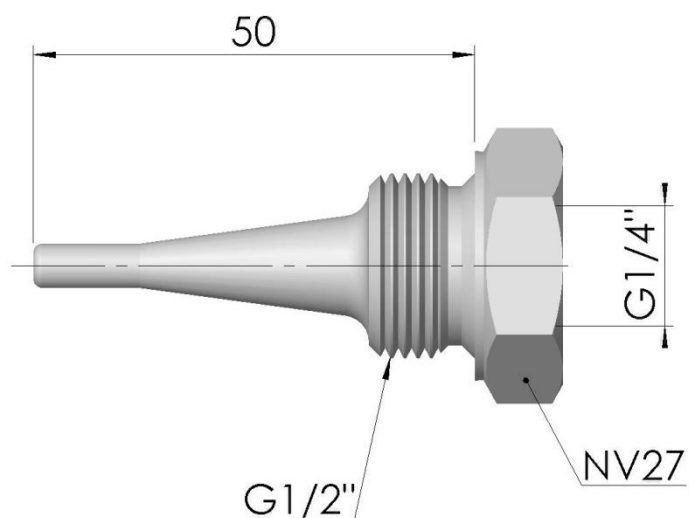
4-wires available from sensor. 3- and 2-wire configuration can be established by connecting to the corresponding terminals.

#### Certificate

Test value: Certificate according to EN10204 3.1

#### Accessories

Thermowell 9062010-001



## Accessories Thermowell G1/2"

### Model 9062010, in stock

#### Design

Thermowell machined from the solid.

#### Example of use

Installation of sensors model number 7911000.

#### Material

Stainless steel 1.4404

#### Part number

9062010-001