

Pt100 sensor, Insertion probe

Model 7264200, in stock

Design

Spring loaded insertion probe.

Pt100 detector

Pt100 detector (RTD) IEC 60751 class A

Application example

Insertion probes for sensors type "DIN B and D".

Signal termination

4-wires to element. See table.

Maximum temperature

Measuring probe: 600°C

Certificate

Measured value: Test certificate EN10204 3.1

Dimensions and part numbers

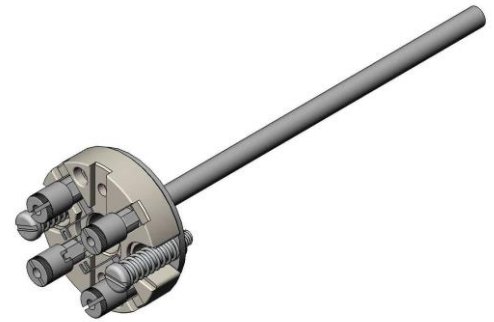
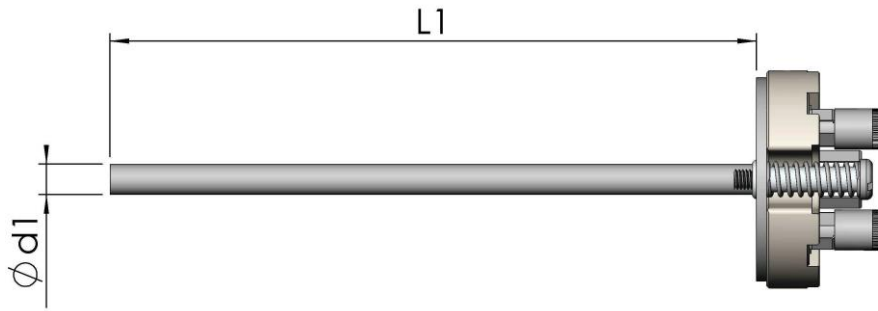
Part Number Insertion probe	Insertion length L1 [mm]	Termination. See note 1.	Fits in listed complete sensors
7264200-129	175	Stripped wires	7932000-139
7264200-149	175	Transmitter	7932000-140
7264200-148	175	Terminal block	7932000-138
7264200-130	235	Stripped wires	7932000-145
7264200-151	235	Transmitter	7932000-146
7264200-150	235	Terminal block	7932000-144
7264200-126	255	Stripped wires	7931000-121
7264200-153	255	Transmitter	7931000-148
7264200-152	255	Terminal block	7931000-147
7264200-127	315	Stripped wires	7931000-122 7941000-146
7264200-154	315	Transmitter	7931000-153 7941000-147
7264200-114	315	Terminal block	7931000-152 7941000-145
7264200-131	325	Stripped wires	7932000-151
7264200-156	325	Transmitter	7932000-152
7264200-155	325	Terminal block	7932000-150
7264200-122	375	Stripped wires	7941000-113
7264200-175	375	Transmitter	7941000-149
7264200-165	375	Terminal block	7941000-148
7264200-128	405	Stripped wires	7931000-123
7264200-163	405	Transmitter	7931000-158
7264200-115	405	Terminal block	7931000-157
7264200-173	435	Stripped wires	7941000-151
7264200-176	435	Transmitter	7941000-152
7264200-169	435	Terminal block	7941000-150
7264200-160	475	Stripped wires	7932000-157
7264200-162	475	Transmitter	7932000-158
7264200-161	475	Terminal block	7932000-156
7264200-136	555	Stripped wires	7931000-163
7264200-159	555	Transmitter	7931000-164
7264200-158	555	Plint	7931000-162

Note 1

Stripped wires =
Sensor prepared
for later mounting
of terminal block
or transmitter.

Transmitter =
Sensor equipped
with transmitter
which is **to be
specified
separately.**

Terminal block =
Sensor equipped
with terminal
block - see
pictures.



Pt100-sensor Insertion probe

Model 7260000, built to order

Design

Spring loaded insertion probe.

Application example

Replaceable insertion probe for thermowells.

Max. temperature

Probe: 250°C with protective tube.
600°C with metal-sheathed cable (MI-cable).

Pt100 element

Pt100 element (IEC 60751)
Pt100 class A
Pt100 "1/3 DIN"
Pt100 "1/5 DIN"
Pt100 "1/10 DIN"

O.D. d1	Type of sheathing	Material
6 mm	MI-cable	EN 1.4436
6 mm	Protection tube	EN 1.4404
4 mm	Protection tube	EN 1.4404
3 mm	Protection tube	EN 1.4435
Other alternatives		Please contact Pentronic

Please contact Pentronic for proper choice of type of sheathing in your application (temperature and environment).

Signal termination

4-, 3- or 2-wire configuration

Signal termination
Stripped wires
Transmitter
Terminal block

Transmitter is to be specified separately

Certificate

Measuring value: Test certificate EN10204 3.1

Dimensions

Insertion probe length L1 as requested.