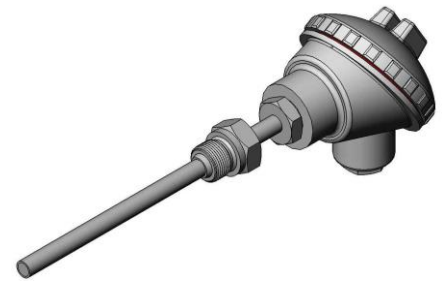


## Pt100 sensor Protection tube "DIN B", short neck

### Model 7932000, in stock



#### Design

Outer protective tube with neck and welded mounting thread Replaceable insertion probe.

#### Example of use

Industrial temperature measurements of gases and liquids in pipes and tanks.

#### Maximum temperature

Measuring tip: 600°C.

#### Insertion probe

Exchangable (model 7264200)  
Pt100 sensor (RTD) IEC 60751 class A.

#### Protection tube

Material protective tube: EN 1.4435  
Diameter: 10 mm  
Measuring tip with internal bushing suited for 6 mm diameter insertion probe.

#### Terminal head

Turnable head with screw-on lid.  
Cable gland M20x1,5 mm.

#### Signal termination

4-wires available from sensor. 3- and 2-wire configuration can be established by connecting to the corresponding terminals.

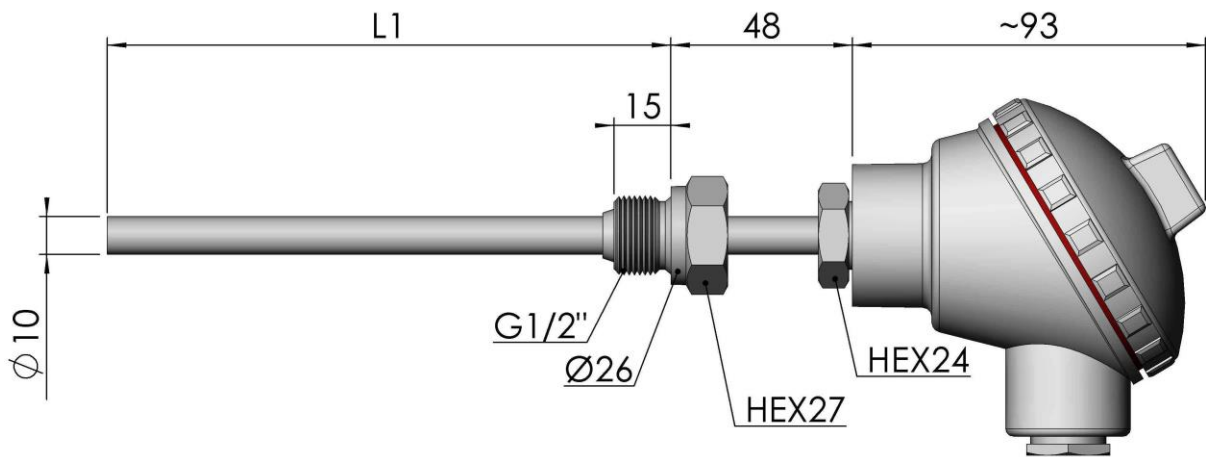
#### Certificate

Measurement value: Test report according to EN10204 3.1

#### Dimensions and part numbers

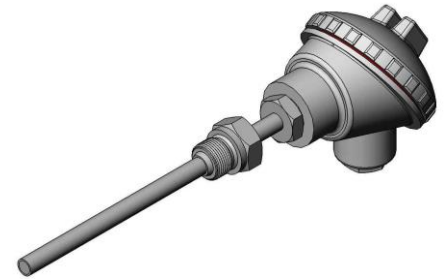
Part No Complete sensor	Insertion probe length L1	Signal termination	Insert probe length	Part No Insertion probe
7932000-139	100 mm	Stripped wires	175 mm	7264200-129
7932000-140	100 mm	Transmitter	175 mm	7264200-149
7932000-138	100 mm	Terminal block	175 mm	7264200-148
7932000-145	160 mm	Stripped wires	235 mm	7264200-130
7932000-146	160 mm	Transmitter	235 mm	7264200-151
7932000-144	160 mm	Terminal block	235 mm	7264200-150
7932000-151	250 mm	Stripped wires	325 mm	7264200-131
7932000-152	250 mm	Transmitter	325 mm	7264200-156
7932000-150	250 mm	Terminal block	325 mm	7264200-155
7932000-157	400 mm	Stripped wires	475 mm	7264200-160
7932000-158	400 mm	Transmitter	475 mm	7264200-162
7932000-156	400 mm	Terminal block	475 mm	7264200-161

\*) Built-in transmitter has to be specified separately.



## Pt100-sensor Protection tube "DIN B", short neck

### Part number 7932000, built to order



#### Design

Outer protective tube with neck and welded mounting thread.  
Replaceable insertion probe.

#### Example of use

Industrial temperature measurements of gasses and liquids in pipes and tanks.

#### Max. temperature

Measuring probe: 250 or 600°C depending on insertion probe.

#### Replaceable insertion probe

Sensor detector (IEC 60751)
Pt100 class A
Pt100 1/3 DIN
Pt100 1/5 DIN
Pt100 1/10 DIN

Model	Max Temp
7264001	250 °C
7264200	600 °C

Diameter: Ø 6 mm  
Length = L1+155 mm

#### Terminal head

Fixed mounted head with screw-on lid, DNAG.  
Turnable head with screw-on lid, DNAG.  
Cable gland M20x1.5.

Type	Lid	Material
DNAG	Screw-on lid	Grey lacquered aluminium
Form B	Lid with fastening screws	Grey lacquered aluminium
DAN	Hinge lid	Grey lacquered aluminium
BBK	Screw-on lid	Glas fiber armoured Polyamid
BEG	Screw-on lid	Stainless steel

#### Signal termination

4-wires from the sensor terminated with the following options:

Signal termination
Stripped wires
Transmitter <sup>1</sup>
Terminal block

<sup>1</sup>) Transmitter has to be specified separately.

#### Certificate

Measurement value: Test report according to EN10204 3.1b.

Option: Model with third-party approval (K 0201230) is available on request.

#### Dimensions

Length L1 on request.